

Design and Turn an Icicle Ornament

W.J. (Bill) Smith

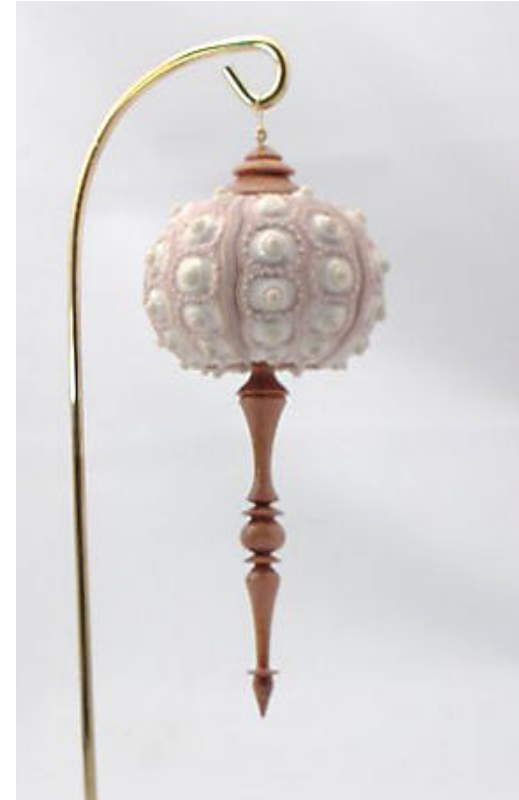
E-mail: wjsmith49@gmail.com

Overview

- Components of an Icicle Ornament
- Important considerations
- Developing a template
- Turn a finial and an icicle

Three Components of an Icicle Ornament

- Finial at the top
- “Globe” in the middle
 - Wood ball
 - Sea Urchin Shell
- Icicle



Important Considerations

- “Size matters”
 - Consider size and weight: will the ornament hang on a tree or on a stand
- Proportions
 - The finial and icicle need to be proportional to the globe
 - Common Ratio
 - Finial about half the height of the Globe or less
 - Icicle no less than twice the height of the Globe
- Type of woods to be used
- Essential step: develop a pattern or template before you cut
 - Ratio between finial, globe, and icicle
 - Elements of the finial and icicle need to be balanced
 - Most important is a template for the icicle – what elements and how positioned
- What to turn first: the Globe
 - Spherical isn’t necessarily good
 - Which is top of the Globe and which is the bottom

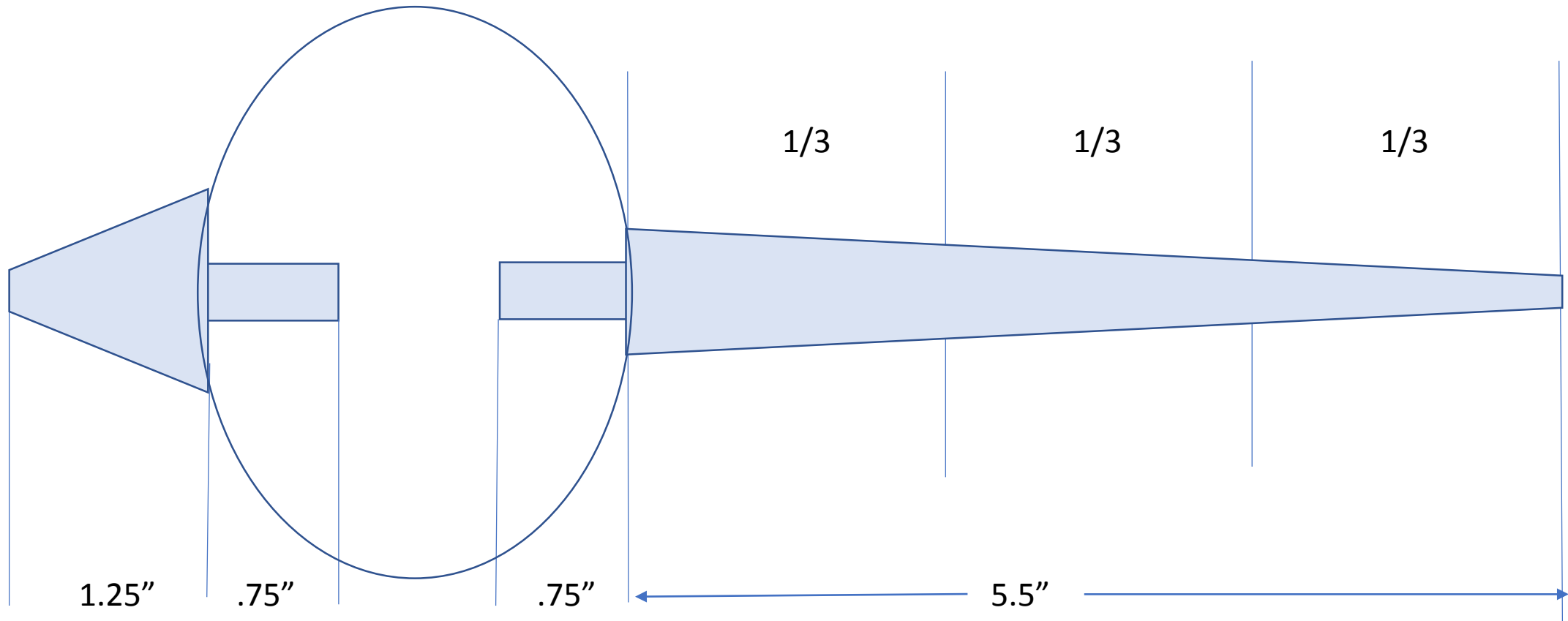
Important Considerations – Part 2

- Start at the end furthest from the headstock
- “Completely finish each portion of the before moving toward the headstock”
- Sharp tools help avoid vibration and other complications
- Sandpaper is a cutting tool
- You won't go to hell if you don't follow all the rule!

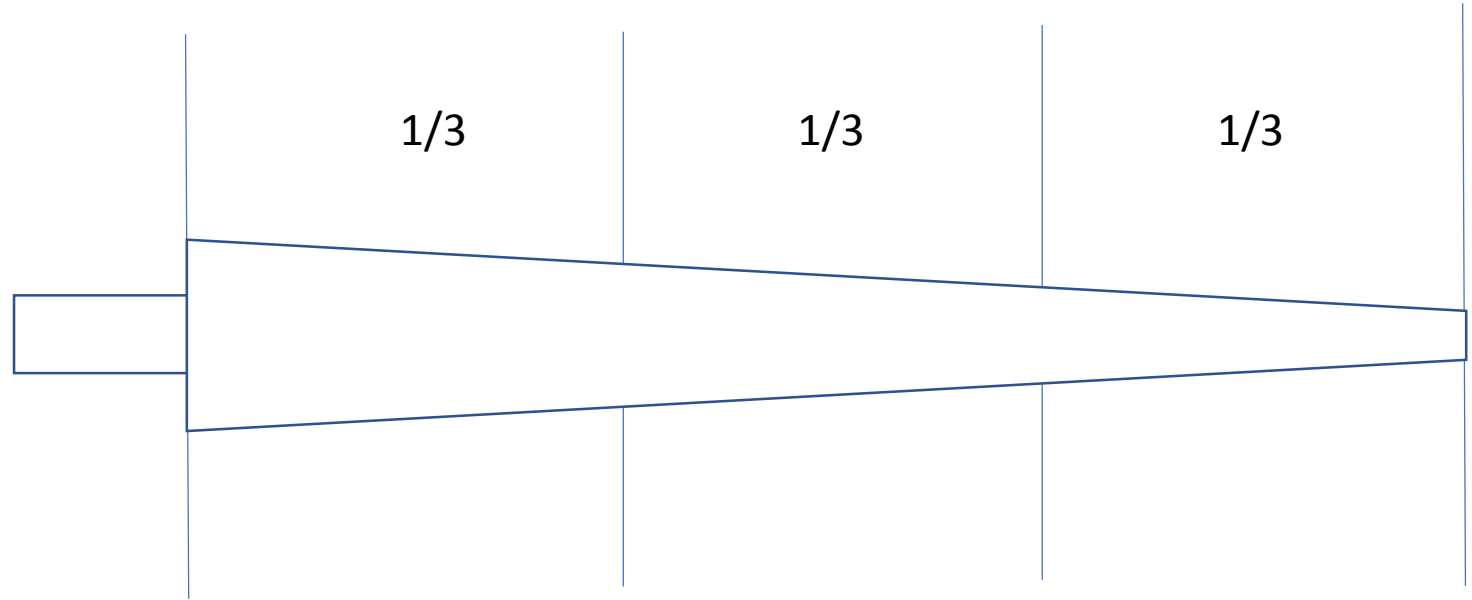
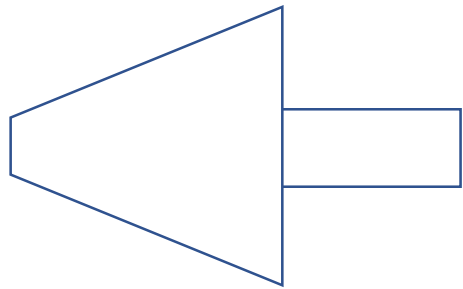
Importance of Proportion



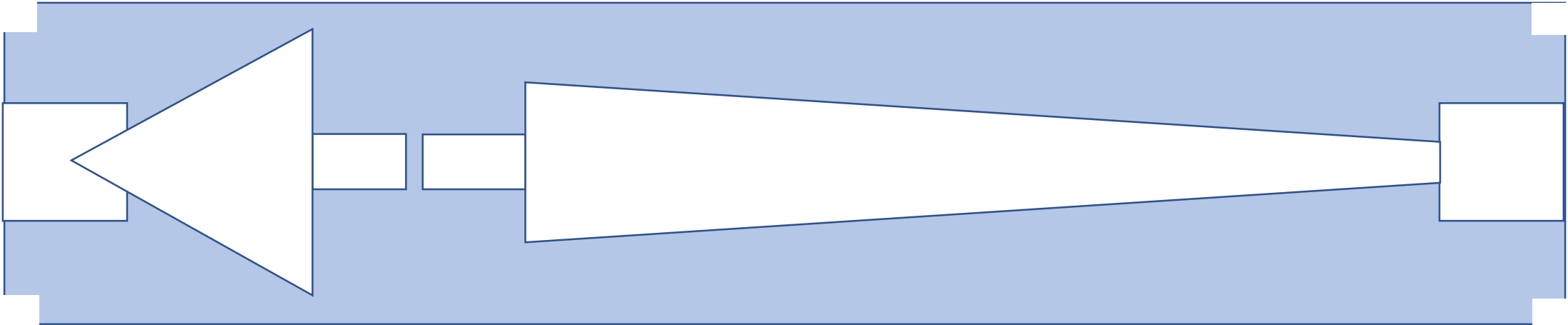
Prepare an Ornament Template (1.25" Finial, 2.5" Ball, 5.5" Icicle)



Draw your Template



BLANK SIZE: 1.5" diameter x 9.5" long



Final Touch

- Finish
 - Glue pieces together – align grain
 - Spray with high gloss finish – be careful to avoid drips
 - Sand with a piece of paper bag to remove nubs and smooth the surface
- The way to hang the ornament
 - Easiest: #217-1/2 eye screw
 - Wire with loop
 - Earring component

Let's cut a Finial and Icicle

